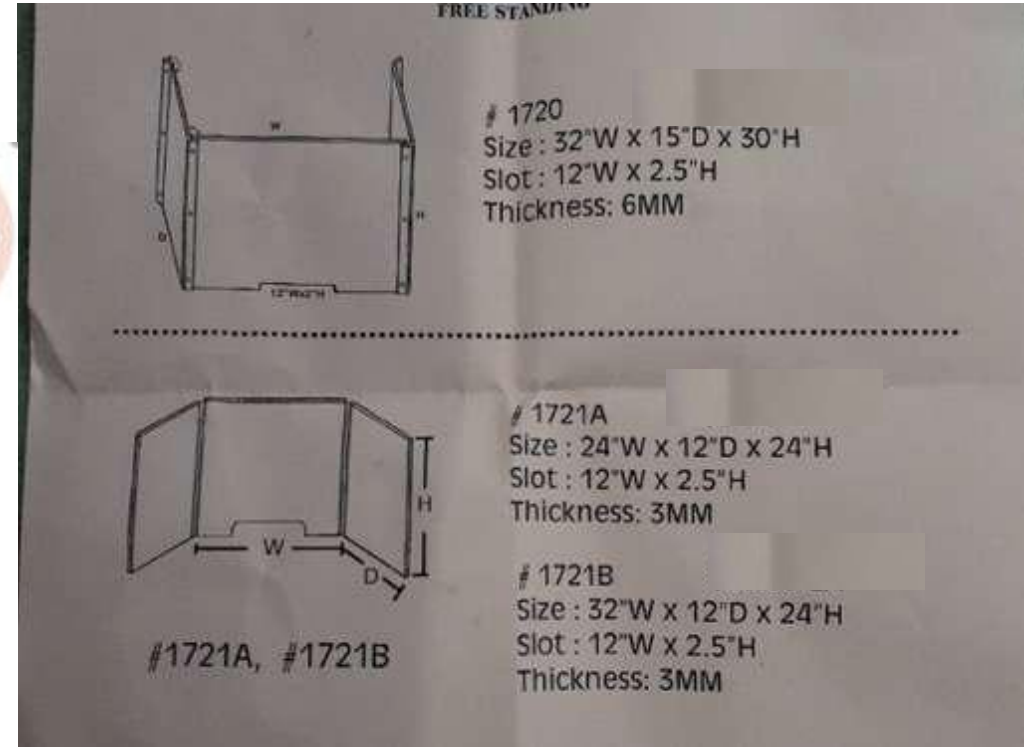




DISPOSABLE GLOVES		
	LATEX	NITRILE
<b>Product #/Sizes</b>		
Extra Small	GTX-XS	GNT-XS
Small	GTX-S	GNT-S
Medium	GTX-M	GNT3-M
Large	GTX-L	GNT-L
Extra Large	GTX-XL	GNT-XL
<b>Price</b>		
<b>Color</b>	Milky White	White, Blue
<b>Specification</b>	9 inches	12 inches
<b>Type</b>	Powder-Free, C1000/C100	Powder-Free, C1000/C100
<b>Test Passed</b>	AQL4.0 (Freedom from Holes)	AQL4.0 (Freedom from Holes)



# Sneeze “ Personal Protective Screens” 3 – Standard Sizes Custom Configuration Available





ITEM 1001



ITEM 1002



ITEM 1004

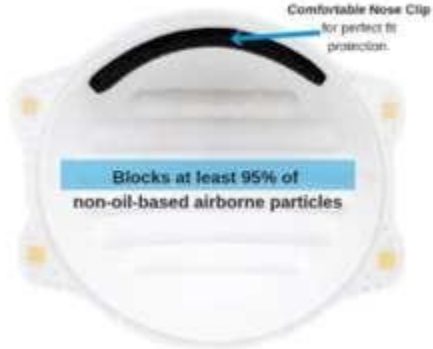
KN95



ITEM 1003



N95



Comfortable Nose Clip for perfect fit protection.

Blocks at least 95% of non-oil-based airborne particles

ITEM 1001

U.S. Department of Health & Human Services

FDA U.S. FOOD & DRUG ADMINISTRATION

Home Food Drugs Medical Devices Radiation-Emitting Products Vaccines, Blood & Biologics Animal & Veterinary Cosmetics Tobacco Products

### Establishment Registration & Device Listing

Establishment: GUANGZHOU HARLEY COMMODITY COMPANY LIMITED  
 Floor 1 To 4, #8, Team 17, Sandong Village  
 Xinhua Street,  
 Hualu District Guangdong, CN 510600  
 Status: Active, Awaiting Assignment Of Registration Number  
 Date Of Registration Status: 2020

Owner/Operator: GUANGZHOU HARLEY COMMODITY COMPANY LIMITED  
 Floor 1 To 4, #8, Team 17, Sandong Village  
 Xinhua Street,  
 Hualu District, Guangdong CN 510600  
 Owner/Operator Number: 10093376

Official Correspondent: Wengfau Xu  
 Floor 1 To 4, #8, Team 17, Sandong Village  
 Xinhua Street,  
 Hualu District, Guangdong CN 510600  
 Phone: 86-20-37512958

US Agent:  
 N/A  
 N/A  
 N/A  
 N/A  
 N/A, NA, US, N/A,Ext  
 Email: N/A

\* Firm Establishment Identifier (FEI) should be used for identification of entries within the imports message set

New Search		Back To Search Results
Classification Name:	RESPIRATOR, SURGICAL	
Product Code:	858	
Device Class:	2	
Regulation Number:	878.4080	
Medical Specialty:	General & Plastic Surgery	
Registered Establishment Name:	GUANGZHOU HARLEY COMMODITY COMPANY LIMITED	
Owner/Operator:	Guangzhou Harley Commodity Company Limited	
Owner/Operator Number:	10093376	
Establishment Operations:	Manufacturer	



# N95



<https://wwwn.cdc.gov/NIOSH-CEL/ApprovalDetails?schedule=84A&approvalNum=6973>

ITEM 1002

CDC Centers for Disease Control and Prevention  
CDC 2017. Saving Lives. Protecting People.™

The National Personal Protective Technology Laboratory (NPPTL)

Certified Equipment List

Search

General Cautions and Limitations +

Definitions of Terms

Prior Manufacturers Names

NPPTL Homepage

A to Z Index

For Respirator Users

For Respirator Manufacturers

Protective Clothing and Ensembles

Protective Technology Program at NIOSH

Respirator Trusted-Source Information

Approved Particulate Filtering Facepiece Respirators

Certified Equipment List (CEL)

Respirator User Notices

Contact NPPTL

Certified Equipment List

Promoting productive workplaces through safety and health research. **NIOSH**

Approval Details

Schedule	84A
Approval Number	6973
Manufacturer	Guangzhou Harley Commodity Company Limited
Approval Date	12/15/2014
Product Line	Model L-188 N95 Filtering Facepiece Air Purifying Respirator
For Protection Against	N95
Service Time (minutes)	
Facepiece Type	Filtering Facepiece
Is the respirator powered?	Non-powered
Number of Filters	1
Is the the filter replaceable?	No
Filter Location	Filtering-facepiece
Cartridge or Canister	
Number of cartridge or canisters	
Location of cartridge or canisters	
Is the cartridge or canister replaceable?	No
Self-contained breathing apparatus (SCBA) Type	
Supplied air respirator (SAR) Type	
Self-contained breathing apparatus (SCBA) Use	
Airflow	
Breathing Gas	
Percentage of Oxygen in Breathing Gas	
Regulator Location	
Low Temperature (Celsius)	
Low Temperature (Fahrenheit)	
Exhalation Valve?	No
Self Rescuer?	No
Is the approval obsolete?	No
Private Label	Honeywell International, Inc., Smithfield, RI

**N95**



**8200 N95**  
Particle Respirator 8200, 3M™



**3M™ 8110S N95**  
Particulate  
Respirator



**3M™ 9502+ KN95**  
Particulate  
Respirator



**3M™ 1860s N95**  
Particulate  
Respirator



**3M™ 1860**  
Particulate  
Respirator



**3M™ 8210+**  
Particulate  
Respirator



**3M™ 8210**  
Particulate  
Respirator

# N95

## Features:

- 5 PLYS
- Double meltblown fabrics
- Latex free
- Soft and comfortable
- Non-linting
- Three-dimensional modelling
- Ultrasonic bonding for a cleaner mask

Count: 10 per box

Composition: 40% non-woven fabric, 40% melt blown fabric, 20% filter cotton

Standards & Certifications: CE EN149:2001+A1 2009, FDA, FFP2 NR D

Non-medical. Should be stored in a cool, dry place, avoid excessive heat (40°C or 104°F).

Shelf life: 3 years

Brand: Rockrooster



Characteristic	Acceptable Limits
Bacterial Filtration Efficiency (BFE)	BFE @ 3.0 µm large Bacteria ≥ 95%
Differential Pressure (ΔP)	ΔP < 4.0 mm of H <sub>2</sub> O/cm <sup>2</sup>
Particulate Filtration Efficiency (PFE)	PFE @ 0.1 µm large Latex particles ≥ 95%
Fluid Resistance	Resistant @ 80cmHg

ITEM 1003



U.S. FOOD & DRUG ADMINISTRATION

Establishment Registration & Device Listing

1 result found for Owner/Operator Name: Hangzhou Yien

Establishment Name	Registration Number	Current Registration Yr.
HANGZHOU YIEN SHOES CO., LTD. CHINA	No number listed	2020
Face Mask (Except N95 Respirator) For General Public/Healthcare Personnel Per the Guidance - Face Mask		Foreign Export, Manufacturer
Respirator, Surgical - ROCKROOSTER, N95		Foreign Export, Manufacturer
Shoes, Operating-Room - Operating-Room Shoes		Foreign Export, Manufacturer
Non-Surgical Isolation Gown - Non-Surgical Isolation Gowns		Foreign Export, Manufacturer
Cover, Shoe, Operating-Room - Operating-Room Shoe Covers		Foreign Export, Manufacturer

Can't find what you're looking for? Try a more search

Last Updated: 06/22/2020  
If you need help accessing information in different file formats, see Instructions for Downloading and Players.



ITEM 1004



# KN95



U.S. Department of Health & Human Services

**U.S. FOOD & DRUG ADMINISTRATION**

Follow FDA | En Español

SEARCH

Home | Food | Drugs | Medical Devices | Radiation-Emitting Products | Vaccines, Blood & Biologics | Animal & Veterinary | Cosmetics | Tobacco Products

### Establishment Registration & Device Listing

FDA Home | Medical Devices | Databases

New Search | Back To Search Results

<b>Proprietary Name:</b>	KN95 Respirator, Disposable Mask
<b>Classification Name:</b>	RESPIRATOR, SURGICAL
<b>Product Code:</b>	MSH
<b>Device Class:</b>	2
<b>Regulation Number:</b>	878.4040
<b>Medical Specialty:</b>	General & Plastic Surgery
<b>Registered Establishment Name:</b>	FUJIAN MEINKIND BABY PRODUCTS CO., LTD.
<b>Registered Establishment Number:</b>	3016690648
<b>Owner/Operator:</b>	Fujian Meinkind Baby Products Co., Ltd.
<b>Owner/Operator Number:</b>	10064198
<b>Establishment Operations:</b>	Manufacturer

Page Last Updated: 07/20/2020  
 Note: If you need help accessing information in different file formats, see Instructions for Downloading Viewers and Players.  
 Language Assistance Available: Español | 繁體中文 | Tiếng Việt | 한국어 | Tagalog | Pycckий | العربية | Kreyòl Ayisyen | Français | Polski | Português | Italiano | Deutsch | 日本語 | فارسی | English

Accessibility | Contact FDA | Careers | FDA Basics | FOIA | No FEAR Act | Nondiscrimination | Website Policies



## 3 PLY Disposable Face Mask



### Features:

- BFE $\geq$ 98% Bacterial filtration efficiency  $\geq$ 98%.
- PFE $\geq$ 98% Particular filtration efficiency  $\geq$ 98%.
- Differential pressure <math><40\text{Pa}/\text{cm}^2</math>.
- Made of high quality non-woven fabric and filter paper which brings soft and comfortable perfect fitting.
- Comply to ASTM F2100 Type II
- Comply to EN14683:2019
- Applications: hospital, medical, dental, clinic, school, food industrial, clean room, laboratory, daily protection etc.

### PRODUCTION DESCRIPTION

ITEM	DESCRIPTION
Model No	MEDI 1-1
Type	Medical Disposable Face Mask with Ear loops
Material	Non-Woven Fabric
Dimension	185mm X 100mm
Certification	EN14683-2019 - CE /FDA
Classifications	Class I



Anti dust



Anti droplets



Comfortable and  
breathable



Three layer design



Seamless crimping



Adjustable nose  
bridge



Three dimensional  
structure



Fine material

### PACKING DETAILS



10PCS/BOX

(mm)

185X100



50PCS/BOX

(mm)

190X105X85



1000PCS/CARTON

(mm)

515X412X225



2000PCS/CARTON

(mm)

515X412X435



# MASKS



Certification/ Class (Standard)	N95 (NIOSH-42C FR84)	FFP2 (EN 149-2001)	KN95 (GB2626-20 06)
Filter performance – (must be ≥ X% efficient)	≥ 95%	≥ 94%	≥ 95%
Test agent	NaCl	NaCl and paraffin oil	NaCl
Flow rate	85 L/min	95 L/min	85 L/min
Total inward leakage (TIL)* – tested on human subjects each performing exercises	N/A	≤ 8% leakage (arithmetic mean)	≤ 8% leakage (arithmetic mean)
Inhalation resistance – max pressure drop	≤ 343 Pa	≤ 70 Pa (at 30 L/min) ≤ 240 Pa (at 95 L/min) ≤ 500 Pa (clogging)	≤ 350 Pa
Flow rate	85 L/min	Varied – see above	85 L/min
Exhalation resistance - max pressure drop	≤ 245 Pa	≤ 300 Pa	≤ 250 Pa
Flow rate	85 L/min	160 L/min	85 L/min
Exhalation valve leakage requirement	Leak rate ≤ 30 mL/min	N/A	Depressurization to 0 Pa ≥ 20 sec
Force applied	-245 Pa	N/A	-1180 Pa
CO <sub>2</sub> clearance requirement	N/A	≤ 1%	≤ 1%



# Corporate Branded Masks

Customized (Your Brand ) Cloth Masks in Various Sizes





# ENTIRE ROOM AIR PURIFIER



## Timer

There are 4 timer settings - 1, 2, 4 and 8 hours. The air purifier will turn off after the set time on the timer



## Speed

3 Speed for Quiet Operation



## Night Mode

This reduces the fan speed to the quietest level and turns off the air quality display

- Removes Allergies, Dust, Pollen, Mold, Pet Dander and Light Odors
- Removes 99%+ of airborne allergens & particulates
- Best for Bedroom, Office, Small Basement
- HEPA and carbon filtration only - no ionizer or electronic device
- Lightweight and Easy to Move
- **What's included:** Air purifier with filters installed, remote control, **User's Manual**



## Where to Use

Best for: Bedroom, Office, Living Room, Basement



## Coverage Area

400 sq ft(20' x 20')



## Effective For

Dust, Pollen, Mold, Pet Dander, Allergies



## NO CONTACT INFRARED FOREHEAD THERMOMETER - FOR ADULTS OR KIDS (RTL-MD742)

### Features:

- Accurately and instantly detects fever and gives you the immediate call of action for treatment as early as possible
- Measures temperature without the discomfort of having to sit still with a thermometer in the mouth, armpit, or rectum long enough to obtain a correct temperature reading.
- No unnecessary disinfection needed between patients for the thermometers
- Can be used for all ages, highly recommended for infants, kids, and patients that cannot do the traditional way to check the temperature.
- Allows easier and faster way to screen large numbers of people in settings like airports or border crossings.
- The safest way to check body temperature without contact. Highly recommended in observation of social distancing.
- Multifunctional and can be used to check the temperature of objects or liquids
- Easy to Read: Temperature will be displayed on the LCD screen

### Disclosure:

This product is FDA approved.

In light of current events and the high demand for this product, delivery times are averaging between 15-30 business days. Once ordered, the product is non-refundable.



Normal Temperature

Elevated Temperature

- 7 Inch Touch Screen Monitor for easy setup
- Accurate monitoring of temperature utilizing thermal imaging technology
- Non-Contact scan to reduce cross-infection
- Portable design with multiple mounting options
- Use of Quick Scanning capability prevents congestion



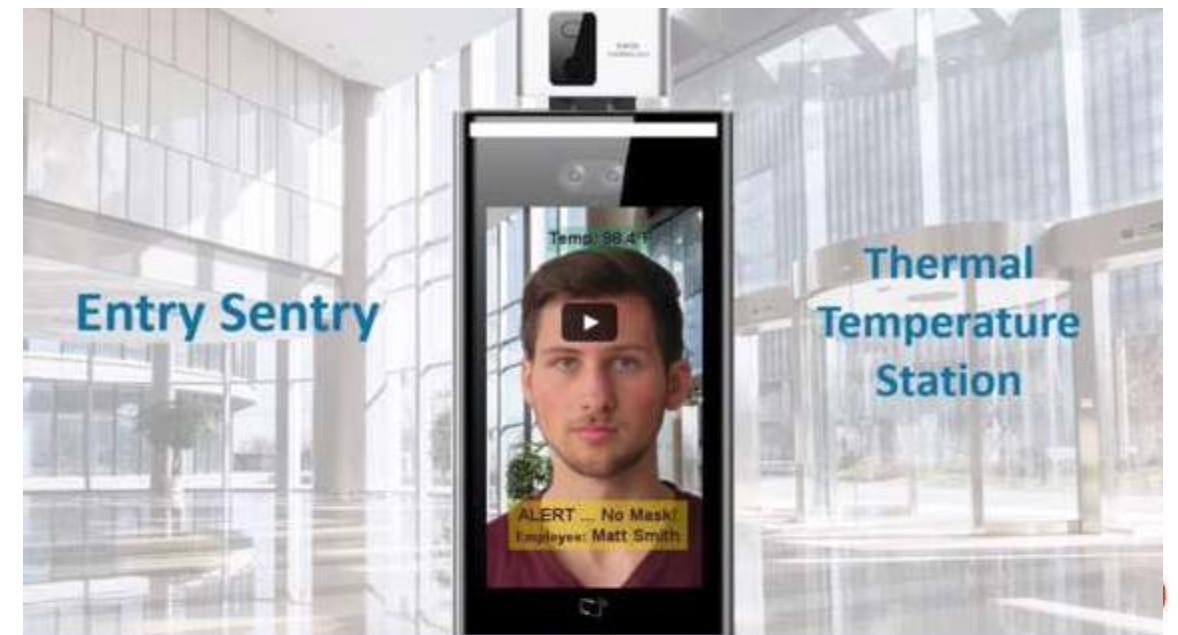
Normal Temperature



Elevated Temperature

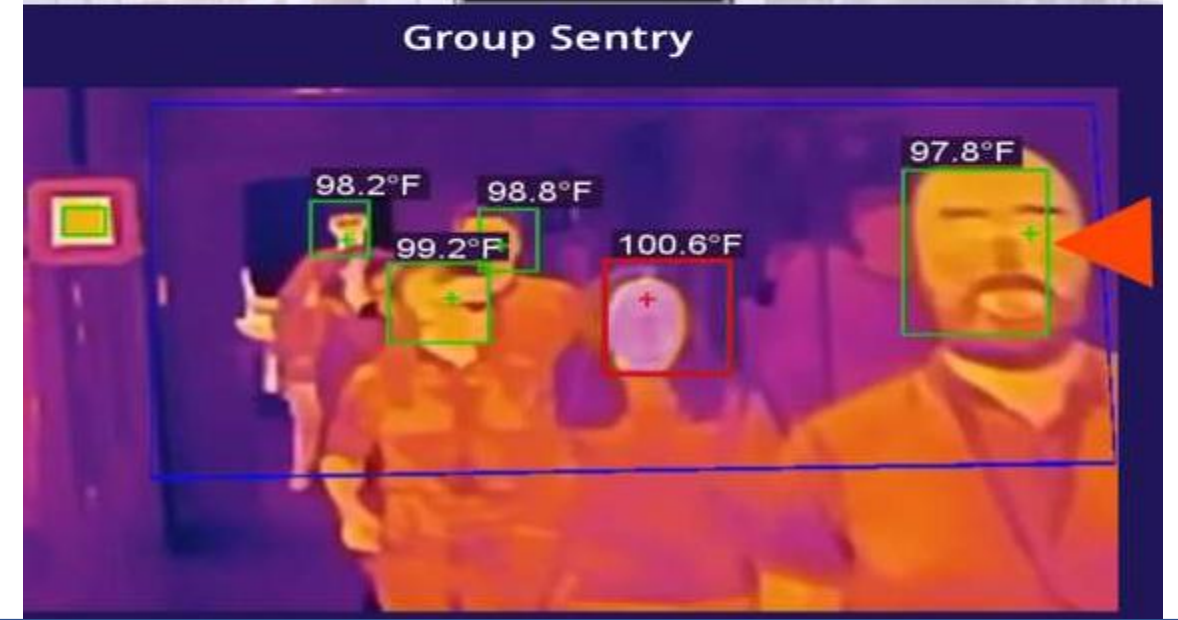


Wearing a Mask



## Entry Sentry

## Thermal Temperature Station



## Group Sentry



Sterilization is more effective  
**K9 Automatic Temperature Measurement  
& Disinfection Machine**

Safer without contact

- Large-capacity
- Automatic dispensing
- Temperature measurement
- Alarm Function
- High precision  $\pm 0.2$
- °C/°F

°C/°F temperature unit can be selected  
**Switch easily**



## Automatic temperature measurement and disinfection

Effectively avoid cross infection

Align the temperature measuring probe and the liquid outlet with the palm of your hand to detect the temperature and automatically sterilize the liquid



# THERMOMETER & DISPENSER ALL IN ONE

## Exploded view

Concise appearance design





## PREVENTIVES

# BAC HAND SANITIZER

### ABOUT BENZYLAKONIUM CHLORIDE

APPROVED MONOGRAPH BY THE FDA IN FIGHTING HARMFUL DISEASES AND GERMS. BENZYLAKONIUM CHLORIDE – ALCOHOL FREE, ANTIMICROBIAL COMPOUND WIDELY USED IN HEALTHCARE FIELD MORE THAN 60 YEARS; USED IN STERILIZING AGENTS, PRESERVATIVES, ANTI BACTERIAL SKIN AND WOUND TREATMENTS. USED IN EYE DROPS, BACTINE®, LYSOL. COMMON ALGAECIDE FOR PATHOGENIC BACTERIA AND VIRUSES.

### WHY IT'S NON-TOXIC, SAFE AND EFFECTIVE

- BAC PROVIDES EXTENDED PROTECTION – WHO RECOMMENDED PROTOCOL – 15+ SECOND RUB TIME.
- ELIMINATES WORRIES OF STORING FLAMMABLE LIQUIDS / VAPORS
- ELIMINATES DRY HANDS, IRRITATION AND NEVER STINGS. DOES NOT CHAP HANDS.
- AMAZINGLY EFFECTIVE, SAFE ACTIVE INGREDIENTS
- NON TOXIC, SAFE FOR CHILDREN
- FRESH SIGNATURE SCENT

### DISPLAY AND DISPENSER

- 18 GAUGE STEEL CONSTRUCTION
- 40 GAUGE STYRENE PRINTED PANELS
- 1 GALLON STAND - 12.5 X 12.5 X 35.5
- 5 GALLON STAND - 17.5 X 12.5 X 35.5



Due to the coronavirus pandemic, we are experiencing higher than normal demand globally for infection control products such as hand sanitizer, masks, goggles, and face shields, among other items. However, we stand out in the industry with a longstanding manufacturing and shipping history and intelligent performance standards to address shortages and delays very quickly. Making and distributing quality PPE is what we do! We thank you for your business as we help to address this world crisis with in a time of rapidly changing market needs.

# SANITIZER AND MASKS STANDS

## PRODUCT / DISPENSING OPTIONS

AVAILABLE IN GEL OR FOAM FORMULA (4 GALLON / CASE)

CUSTOM PRINTED 1 GALLON DISPLAY DISPENSER (HAND PUMP)



CUSTOM PRINTED 5 GALLON DISPLAY DISPENSER  
(AVAILABLE IN FOOT PUMP OR HAND PUMP OPTION)



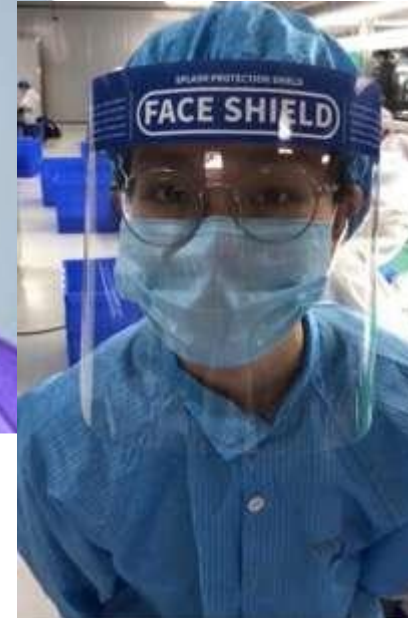
CLE218 (GEL)  
CLE219 (FOAM)

<b>Drug Facts</b>	
<b>Active ingredient</b>	<b>Purpose</b>
Benzalkonium Chloride 0.1%	Antimicrobial
<b>Uses</b>	
Hand Sanitizer to help reduce bacteria that potentially can cause disease. For use when soap and water are not available. Recommended for repeated use.	
<b>Warnings</b>	
For external use only.	
When using this product keep out of eyes, ears, and mouth. In case of contact with eyes, rinse eyes thoroughly with water.	
Stop use and ask doctor if irritation or rash occurs	
Keep out of reach of children. If swallowed, get medical help or contact a Poison Control Center right away.	
<b>Directions</b>	
<ul style="list-style-type: none"> <li>Place enough product on hands to cover all surfaces. Rub hands together until dry.</li> <li>Supervise children under 6 years of age when using this product to avoid swallowing.</li> </ul>	
<b>Inactive ingredients</b>	
Water, Carbomer, Glycerin, Lactic Acid, Fragrance	
<b>Questions or Comments?</b>	
Call us at 833.423.0006	





<b>ANTI-SPLASH, ANTI-FOG FACE SHIELD</b>	
<b>Product #</b>	ASFS
<b>Price</b>	
<b>Function</b>	Medical grade face and eye protection
<b>Color</b>	Blue + transparent
<b>Specification</b>	8.66 inches
<b>Features</b>	Anti-splash, anti-fog



**PRODUCT DESCRIPTION:**

- ✓ These medical grade face shields have been made with anti-fog, splash-resistant technology provides crucial protection to your workers' irreplaceable faces and eyes--effectively keeping harmful airborne droplets, particles, liquids, dust, aerosols, and splashes out.
- ✓ With a lightweight, ergonomic design, the soft forehead cushion provides comfort by reducing pressure on the forehead for a reliable and extended wear.
- ✓ Well-structured to fit over glasses and accommodate various head types, with a large protective area to cover different face shapes and sizes.



## APPAREL

# Malt Industries Polypropylene Lab Coat, Blue or White (Case of 30)

### Details

Polypropylene disposable lab coats are a great low cost alternative for those who need general protection from dirt or grime. Polypropylene lab coats are ideal for use in non hazardous environments such as hospitals, clinics, laboratories, food processing facilities and painting applications. Available in White or Blue. **30 per Case.**

#### Economical

Lab coat with snap front closure and long sleeves

Ideal for non hazardous environments

Cool, lightweight material



## DISPOSABLE PE ISOLATION GOWNS CLASS 1 & 2



These disposable isolation gowns serve a wide range of functions that can better protect your health. These suits are anti-static, dust proof, water proof and anti oil. They are manufactured in a clean environment and individually packaged in plastic bags.

Product	Disposable PE Gown
Material	Polyethylene
Color	Clear and Light Blue
Size	One size fits most
Style	Straight Pendulum, Swallow Tail, Cuff and so on
Usage	Hospital, Labs
Feature	Back Broken Point Type, Waterproof, Anti-fouling, Anti-Static, Sanitary, Soft and Comfortable
Certification	FDA Class I & 2, Also in accordance With ISO9001, ISO13485, FDA, SGS, CE
Store	Store in dry area, Humidity less than 80%, Ventilated area

\*Due to COVID-19 Non-Surgical gowns and minimal-to-low barrier protection surgical apparel for Class I & 2 is currently being waived by the FDA.

## Level I and II Made in America

Compliance Tested To:	ANSI/AAMI PB70
Status:	Current
Test Completion Date:	4/10/2020
Equipment:	Impact Penetration Testers Type I Tester Type II Tester White ATCC Blotting paper for test 42 Balance accurate to .01g Distilled Water
Material Tested:	Polyethylene, Disposable Isolation Gown WPPE0050
Procedure:	Using 3 specimens each 6" x 9" with warp direction running the length of test bed Condition the paper to 65 +/- RH and 70 +/- 4°F for at least 4 hours Weigh each specimen and recorded weight to nearest 0.1g Clamp specimen at the top and the bottom using a spring clamp Using 500mL of distilled water, pour it into the funnel without allowing any swirled motion To prevent the swirled effect and blade fixed to the interior of the funnel can be used Funnel to have spray nozzle affixed to bottom of funnel as described in Fig 4 of AAMI PB70 The average increased weight across all 3 specimens is reported
Test Results:	Average of all 3 specimens are less than the 4.5g for minimal water resistance



## Level III

### Specs for Isolation Gowns

Material: SMS Nonwoven Fabric

Thickness:43gsm

Elastic cuff

Closure:Tie-String to the back

Size:L 125x157cm

Packing:10pcs/polybag,10bags/Carton

Carton Size:60x40x50cm,G.W:13kgs

With CE,ISO13485 certification

meet AAMI3 standard

Other Size:M,XL,XXL also availableFeatures: \* 100% latex free \*

Non-Sterile and single-use \* Soft,Anti-Bacteria, Waterproof

\*Eco-friendly





## Scrub Suit

### ▼ Scrub Suit    ▼ Patient Gown



#### Scrub Suit

Ref No.	Description	Color	Size	Packaging
200270	Softie Scrubtop 10ppm	Blue	S-FL	10ppm/bag, 100pcs/case
200420	MS 2100R	Blue	S-FL	10ppm/bag, 100pcs/case
200440	MS 4100R	Blue	S-FL	10ppm/bag, 100pcs/case
200400	MS 1000R	Light Blue	S-FL	10ppm/bag, 100pcs/case

#### Patient Gown

Ref No.	Description	Color	Size	Packaging
P0940	SP 4000R	Dark Blue	Regular	10ppm/bag, 100pcs/case
P0944	SP 4000R	Dark Blue	Regular	10ppm/bag, 100pcs/case
P09420	MS 2100R	Dark Blue	Regular	10ppm/bag, 100pcs/case
P09440	MS 4100R	Dark Blue	Regular	10ppm/bag, 100pcs/case
P09400	MS 1000R	Dark Blue	Regular	10ppm/bag, 100pcs/case

### ▼ Lab Coat    ▼ Lab Jacket



#### SMS Lab Coat with traditional collar & Knit cuffs

Ref No.	Description	Color	Size	Packaging
L07940	SMS 4000R	Blue/White	S-FL	10ppm/bag, 100pcs/case

#### SMS Lab Coat with Knit collar & Knit cuffs

Ref No.	Description	Color	Size	Packaging
L00940	SMS 4000R	Blue/White	S-FL	10ppm/bag, 100pcs/case
L00940	SMS 4000R	Blue/White	S-FL	10ppm/bag, 100pcs/case
L00960	SMS 5000R	Blue/White	S-FL	10ppm/bag, 100pcs/case

#### SMS Lab Jacket

Ref No.	Description	Color	Size	Packaging
L01630	SMS 2000R	Blue/White	S-FL	10ppm/bag, 100pcs/case



## MEDICAL ISOLATION COVERALLS

Product #/Size	
Small	CASP-S
Medium	CASP-M
<b>Large</b>	<b>CASP-L (recommended for most)</b>
Extra Large	CASP-XL
Double XL	CASP-XXL
Price	
Packaging	1 pc/bag, 25 pcs/case
Safety Rating	AAMI Level 3 Rating
Protection	SMS, Microporous film
Material	Non-woven synthetic
Thickness	45gsm
Color	White
Cuff	Elastic
Hair Enclosed?	Yes; Elastic hood cover
Feet Enclosed?	Yes; Boot included
Single-use?	Yes; Disposable and single-use
Non-sterile?	Yes; Non-sterile
Sustainability	Eco-friendly design

Surgeon's Cap



Bouffant Cap



Mob Cap



Shoe Cover





# Disinfectant Wipes



## HAND SANITIZING WIPES

- 6 1200ct Store Supply Alcohol-Free Hand Sanitizing Wipes
- 7 1200ct Store Supply Alcohol-Free Hand Sanitizing Wipes XL
- 8 1200ct Store Supply Alcohol Hand Sanitizing Wipes
- 9 100ct tub Alcohol Hand Sanitizing Wipes
- 10 100ct tub Alcohol Sanitizing Wipes
- 11 180ct tub Alcohol-Free Hand Sanitizing Wipes
- 12 180ct tub Alcohol Hand Sanitizing Wipes
- 13 250ct tub Alcohol-Free Hand Sanitizing Wipes
- 14 250ct tub Alcohol Hand Sanitizing Wipes
- 15 500ct tub Alcohol-Free Hand Sanitizing Wipes
- 16 500ct tub Alcohol Hand Sanitizing Wipes
- 17 500ct Isopropyl Alcohol Surface Cleaning Wipes
- 18 1200ct Circle Bucket Alcohol-Free Hand Sanitizing Wipes
- 19 1200ct Circle Bucket Alcohol Hand Sanitizing Wipes
- 20 1200ct Square Bucket Alcohol Hand Sanitizing Wipes
- 21 1200ct Isopropyl Alcohol Surface Cleaning Wipes
- 22 1-use Single Packed Alcohol Hand Sanitizing Wipes 50ct
- 23 1-use Single Packed Alcohol Phone Wipes 30ct
- 24 20ct Flow Pack Alcohol-Free Hand Sanitizing Wipes
- 25 20ct Flow Pack Alcohol Hand Sanitizing Wipes
- 26 80ct Flow Pack Alcohol-Free Hand Sanitizing Wipes
- 27 80ct Flow Pack Alcohol Hand Sanitizing Wipes
- 28 160ct Flow Pack Alcohol-Free Hand Sanitizing Wipes
- 29 160ct Flow Pack Alcohol Hand Sanitizing Wipes



### This Simple To Use Kit Is As Easy As:



- 1 Load the dry wiper roll into the re-usable bucket.
- 2 Pour your chosen cleaning solution over the roll of wipers.
- 3 Thread the first wiper through the lid and close.

### You're Ready To Go!

- Easily add a wet wipe to your existing cleaning regimen, the kit utilizes whatever cleaning solution you already use.\*
- Control how saturated the wipes become based on your cleaner and application.
- Reusable bucket has an airtight lid to keep your wipes saturated, avoid contamination and reduce staff exposure to the chemicals.
- Wipers easily absorb the cleaning solution while remaining durable to handle your daily cleaning needs.
- Each coreless roll pulls from the center - perfect for feeding wipers through the sanitizing kit bucket lid.
- Ideal for surface cleaning and sanitizing as well as removing soil, oil and grease.

\* Not recommended for bleach or alcohol-based solutions.



# Sanitary Hands-Free Door Pulls





# PPE Essential Kits



No Touch Pen



Nitrile Gloves



Individually Wrapped Masks



.05 oz Hand Sanitizer



Optional Wipe



Optional Sanitizer & Thermometer Combo



Optional Thermometer